

# endograph DC

High frequency intraoral x-ray unit



radiology ahead

# enhance your operating process



Hi-frequency generator, for shorter exposures and reduced dose



Wireless X-ray pushbutton, available for ultimate user convenience



Graphical user interface, for the easiest system's setting



Multilingual main screen, for an effective communication with any patient



Contrast/brightness regulation, to customize completely the display's layout



Standard dose visualization, to comply even with the strictest regulations



Preset anatomic programs, to properly cover any patient size



Predefined tooth selection, allowing the user to rely on our clinical application experience



Receptor type mode. Reporting specific settings for any type of receptor



Fast after-exposure cooling, to maximize user's workflow and improve patient throughput

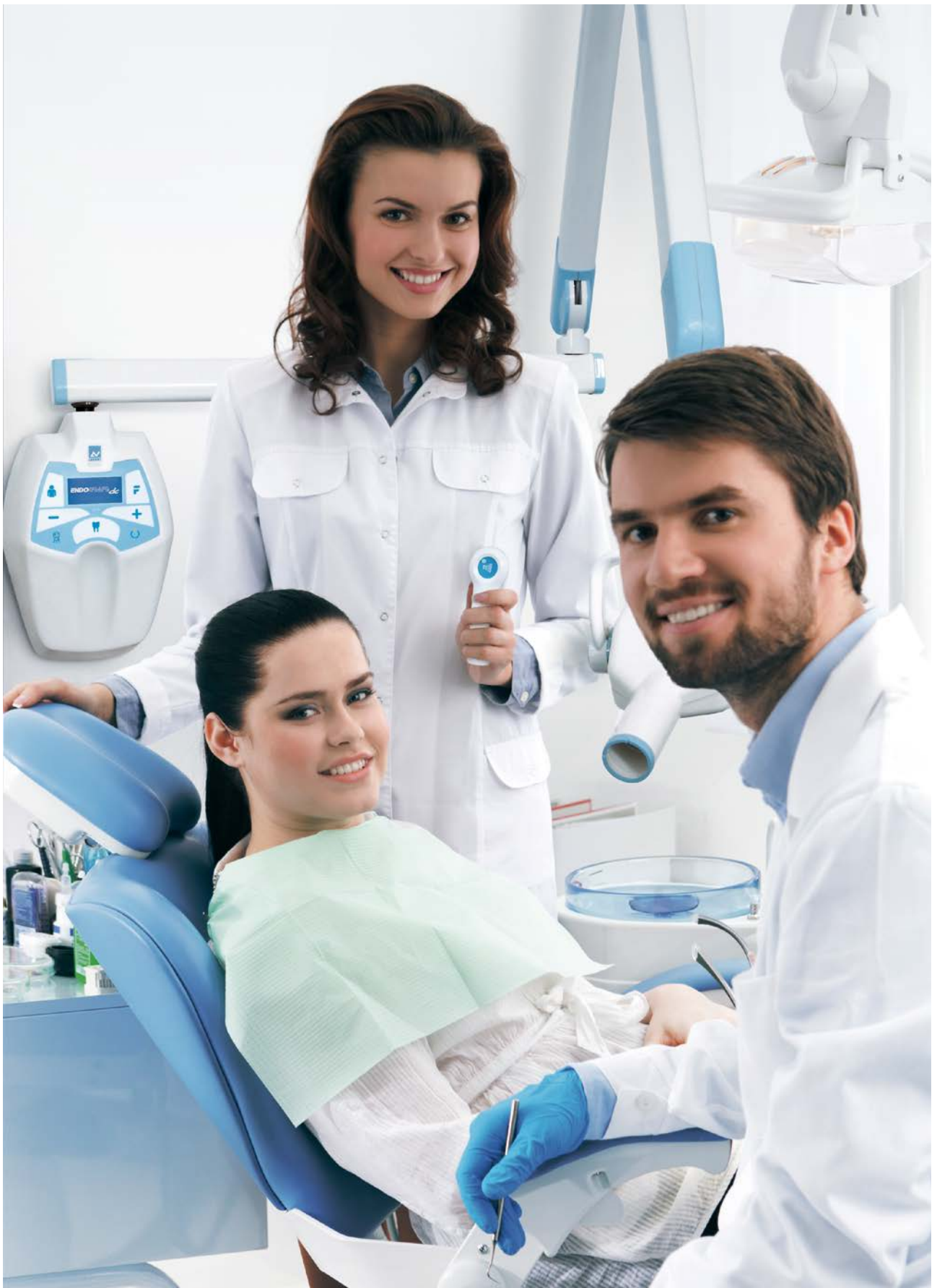
Endograph DC stands out for great *flexibility, ease of use* and *innovative design*. Featured by an *high frequency generator* coupled with the mains-fluctuations compensating timer, Endograph DC also makes a step further in the direction of *user friendliness*: its compact, shield-shaped control unit integrates an high contrast display showing the parameters efficiently organized in working areas and combining icons and tooth name.

This features assure *optimal visibility* all over the operating process, thus helping the user to limit the attention to be paid to system's settings, to better concentrate on the operation itself.

Designed to *enhance the dentist's workflow*, Endograph DC comes to the user's aid also during the exposure: the availability of a wireless command allows to forget the limitations of a fixed activation switch, thus representing a significant advantage, particularly appreciated during full-mouth series.

Thanks to its *wide range of configurations*, either fixed or mobile, Endograph DC can be installed in any clinical environment and the standard availability of preset settings for films, Photostimulable Phosphor Plates (PSP), or Digital Detectors, allows the use with any receptor, from any manufacturer.





*innovation & flexibility*

## Elegance and simplicity of Italian design

100% designed and manufactured in Italy, Endograph DC grants *optimal quality and reliability*, as it can be seen from the care even for the smallest details: the *finishing accuracy* of the parts for the best cleaning, the rubber insertion on the tubehead support for an optimized handling, the arm entirely in aluminium for an improved stability.



## The extreme flexibility of the wireless X-ray button

Endograph DC goes beyond the need of cabling an activation switch somewhere in the practice, as the availability of a *wireless control* makes possible the exposure with a convenience unthinkable for cabled buttons. Should the user prefer, a *remote timer* can be mounted as well out of the operator, to combine settings and exposure out of the patient area.





### User-friendly interface

The *high contrast LCD display* represents one of the most distinguishing parts of the machine. It includes both icons as well as tooth extended descriptions, to maximize visibility and communication with patients; additionally, the levels of brightness and contrast can be adjusted, as well as language of the principal user interface.

### Different versions to match any needs

Endograph DC matches any practice, as it's available with *3 different sizes* of extension arms that can be adapted to virtually any room. Upon request, Endograph DC can be supplied also as a *mobile unit mounted on trolley*, particularly indicated in emergency contexts.

### Accessories

---

30 cm collimator cone extension

---

35x45mm, 25x35mm, 20x30mm collimators

---

External cabling kit

---

*design &  
practicality*



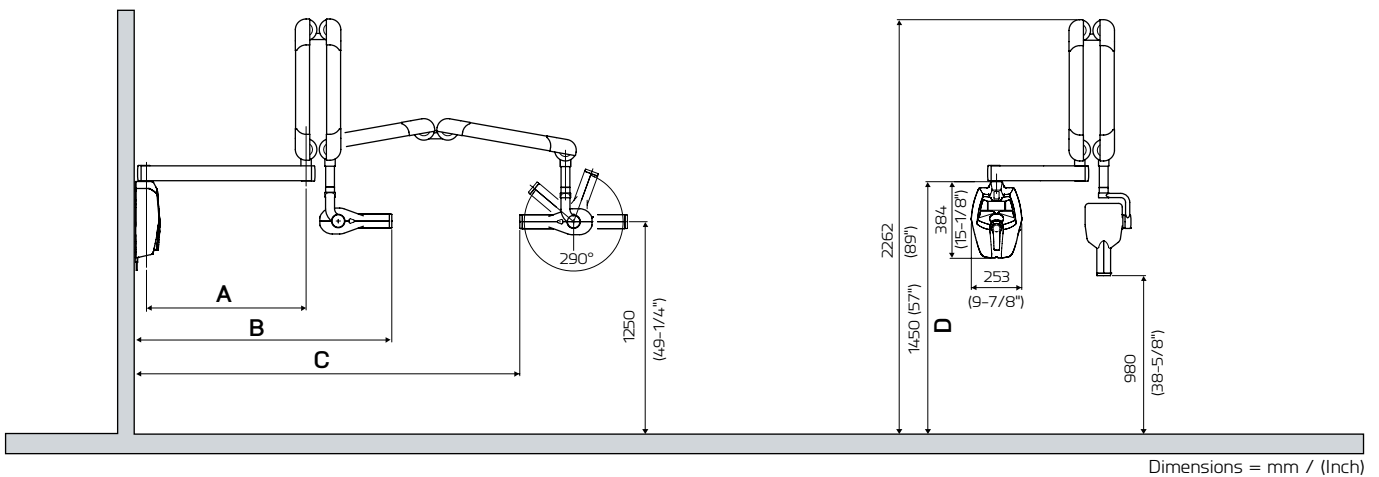
radiology ahead

## Technical data

Power supply	220-240V $\pm 10\%$ - 50/60 Hz; 110-120V $\pm 10\%$ - 50/60 Hz
X-ray tubehead	DC hi-frequency, 60-65-70 kV, 6 mA
Focal spot	0.4 (IEC 336)
Leakage radiation	< 0.25 mGy/h @ 1m
Exposure times	0.01s to 2s in 36 steps
Anatomic programs	882 pre-set times

## Dimensional data

<b>Total reach (B)</b>		
Extension arm A = 30cm (11-13/16")	786mm (30-61/64")	
Extension arm A = 60cm (23-5/8")	1086mm (42-49/64")	
Extension arm A = 80cm (31-1/2")	1286mm (50-41/64")	
<b>Total inside reach (C)</b>		
Extension arm A = 30cm (11-13/16")	1430mm (56-5/16")	
Extension arm A = 60cm (23-5/8")	1730mm (68-1/8")	
Extension arm A = 80cm (31-1/2")	1930mm (76")	
<b>Suggested height (D) = 1450mm (57")</b>		



ISO 9001:2008



0051



ISO 13485:2003

### Villa Sistemi Medicali Spa

Via delle Azalee, 3  
20090 Buccinasco - Italy  
Tel. +39 02 48859.1  
Fax +39 02 4881.844  
vsminfo@villasm.com  
www.villasm.com

### Villa Radiology Systems

199 Park Road Ext., Suite 107  
Middlebury, CT 06762 USA  
Tel. +1 203 262 8836  
Fax +1 203 262 8837  
info@villaus.com  
www.villaus.com



Products are continuously under review in the light of technical advancement, the actual specifications may therefore be subject to improvement or modification without notice. Some features and/or accessories displayed and described could be optional on different markets. All pictures and x-ray images published in the present document are shown exclusively for demo purposes and could be adapted for graphic needs; they are representative of the possible applications and might have been taken using other systems. All rights reserved - Printed in Italy - Rev.1 - Ver.1 - 09/2017